

CUTHOF TOBACCO CUTTING KIT

Cuthof Tobacco Cutting Kit is designed to easily cut all types of tobacco leaves into long thin strands, perfect for roll your own cigarette or pipe smoking. The Cutting Kit consists of a hand driven cutting machine and a brick press to form the tobacco leaves into bricks for cutting. By following the step by step directions you will end up with the best, long thin strands ever dreamed of.

TABLE OF CONTENTS

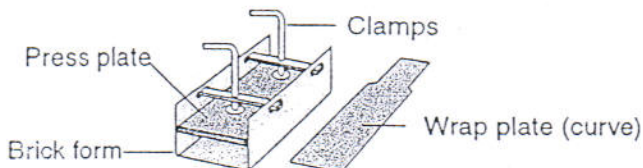
- Moisten tobacco leaves
- Form leaves and load the brick press
- Press the brick and divide
- Cut with the cutting machine
- Redrying
- Cutting machine details

Directions for use

1. MOISTEN TOBACCO LEAVES

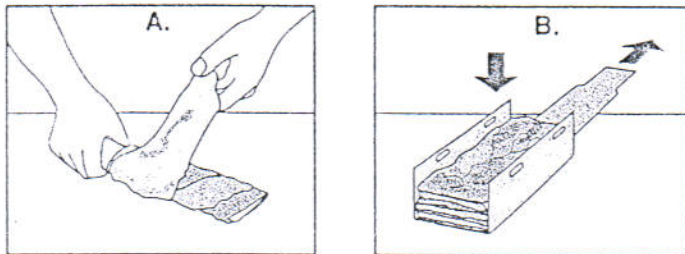
Choose the mix of leaves needed for your desired flavour blend. To make one suitable brick for cutting you need 200 -250 gram dry weight tobacco leaves.

Before you can form the leaves to press a brick for the cutting machine you have to moisten them. You can moisten simply by spraying the leaves with water in a spraycan, mixed with any additional flavour wanted and cover the bundle with a sheet of polyethene to be throughout moistened. If you have unsteamed leaves they has to be moisten enough so the steams dont break when formed. Dont worry if it get too moisten since you nevertheless must redry the cutted tobacco.



2. FORM LEAVES AND LOAD THE BRICK PRESS

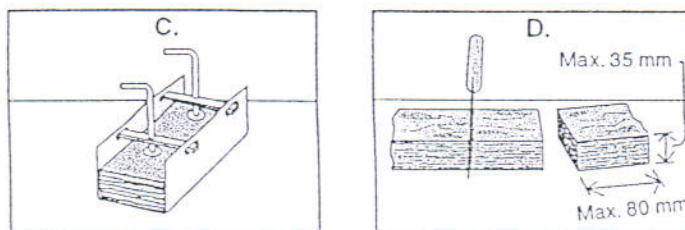
You can simply load the moist leaves into the brick form by fold 4 to 6 leaves together and place them directley into brick form until it is filled. You can also make a wrap plate with the attached curve. Start with 4 to 6 leaves and wrap them in even zigzag over the hole length of the plate (fig. A). Place the full plate into the brick form and by holding back the leaves you can draw out the plate (fig. B). Repeat the process and add new layers until you have filled the brick form with all your leaves.



3. PRESS THE BRICK AND DIVIDE

Place the press plate over the leaves and mount the clamps. Press the leaves by screwing the clamps quite hardly and leave it in press for 2-3 hours. (fig. C).

When pressed enough you dismount the press and put out the finished brick. After divide it into three parts with a knife it's ready for the cutting machine (fig. D).

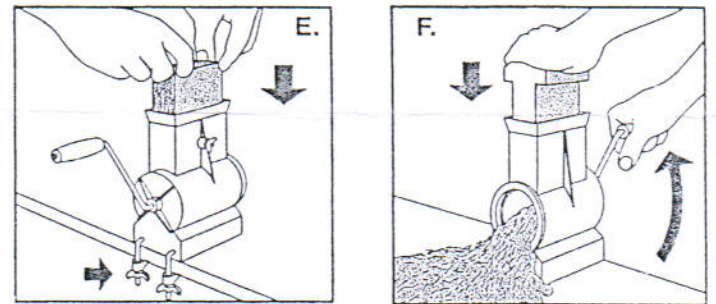


4. CUT WITH THE CUTTING MACHINE

Fasten the machine with it's clamps to the edge of a sturdy workbench or table. Insert one piece of brick into the funnel and press the wooden feeder firmly down against the chunk of tobacco and start to turn the crank (fig. E-F).

Check the cut tobacco as you go along and adjust the pressure on the feeder and your cranking speed for optimal results. If cutting proceeds evenly you can feed the separate chunks right after one another.

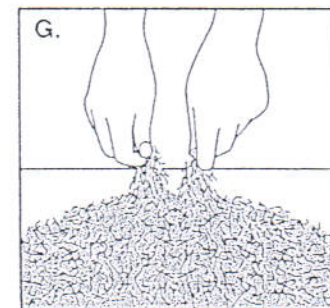
If the strands is to thick you have to reduce the pressure on the feeder, on the other hand if the strands is to thin or if the cutting goes sluggish you may have to increase the pressure. After some times of use the cutting blades become worn and you have to sharpening them with the following sharper or replace with new blades (spare parts). See for cutting machine details.



5. REDRYING

You must redry the cutted tobacco down to right moist for smoking. Work through and separate the strands with your fingers and remove cutted steams and coarse material. Place the tobacco on a sheet of cardboard and spread out in an even layer around 1 cm thick (fig. G). Redrying time depends on temperature, ventilation and humidity and you have to feel when it's right to stop drying.

Tobacco that is too moist gives a weak taste and is hard to roll, on the other hand if it's gone to dry you may have to remoist it by a touch of water sprayed or by pleaseing some moistened pieces of paper among tobacco wherein you keep it.



Hopefully all your effort will end up with the very best tobacco for your smoking satisfaction.

An advice: Dont show your smoking frends the strands, they hardly believe it's your own home made tobacco anyway and if they do, all of them just want to borrow the machine from you.

Cuthof ©

Cuthof Tobacco AB . Box 240
382 23 Nybro . Sweden

CUTHOF CUTTING MACHINE DETAILS

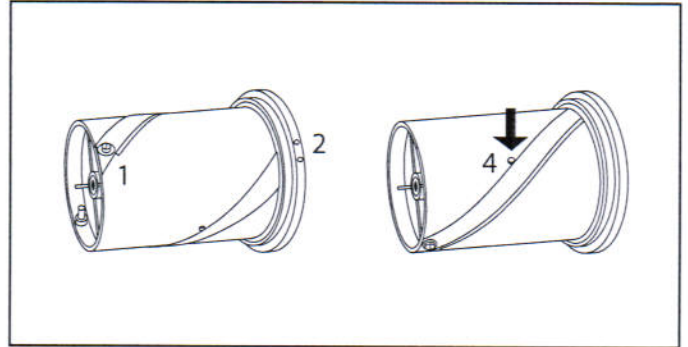
CUTTING MACHINE DETAILS

101 Housing	109 Wingnut M3
102 Cutting drum	110 Washer 14/8
103 Trimming plate	111 Crank handle
104 Crank	112 Cutting blade /2
105 Clamp /2	113 Screw, brick, nut /2
106 Feeder block	114 Friction ring drum
107 Bolt M3	115 Clamp bracket
108 Washer 12/3	116 Wingnut M8
	117 House friction ring

Extra: Sharper for cutting blades / 1.
Cutting blades spare parts / 1 pair.

EXCHANGE OF CUTTING BLADES

1. Remove the cutting blade by first loosening the screw, brick and nut (113).
2. Then unscrew the two screws in front of the drum. Pull out the old cutting blades and clean the drum from any tobacco debris.



3. Mount the new cutting blades in reverse order.
4. Before tightening the screws solidly the cutting blades must be adjusted in right position. Observe that the back edge of the cutting blade shall lean against the stop in the middle of the drum.

CLEANING

The cutting machine should be dismantled and cleaned after use. Warm water and detergent removes deposits and tobacco debris. It is recommended that the crank bearing and the friction rings be lubricated.

DISMOUNT OF CUTTING DRUM

Grasp steadily in the cutting machine and turn crank backwards to dismount the cutting drum.

Observe the washer (110) when remount.

ADJUSTING TRIMMING PLATE (103)

The cutting machine is delivered fully assembled and ready to use. The apposition between trimming plate and cutting blades is crucial for avoiding coarse material and may have to be adjusted.

Loosen the wingnut (109) and adjust the plate down as close as possible against the cutting blades. Fasten it solidly with the wing nut.